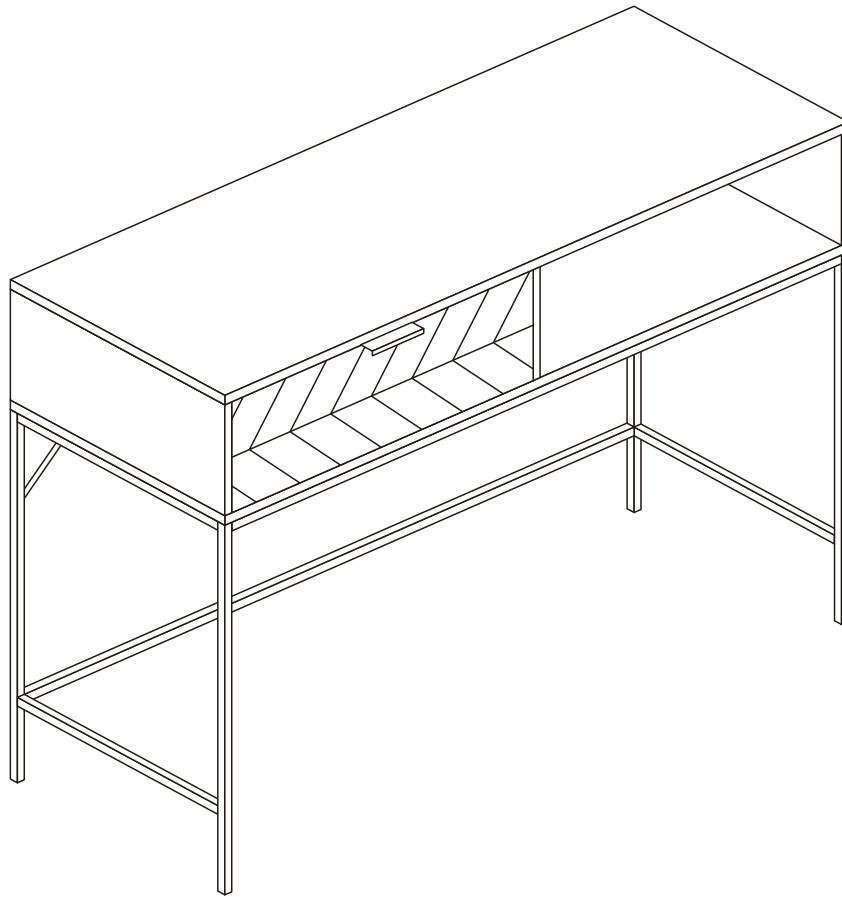


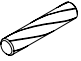

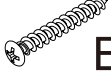



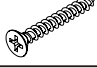

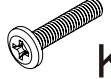




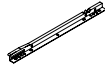
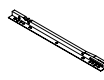




# Console Table

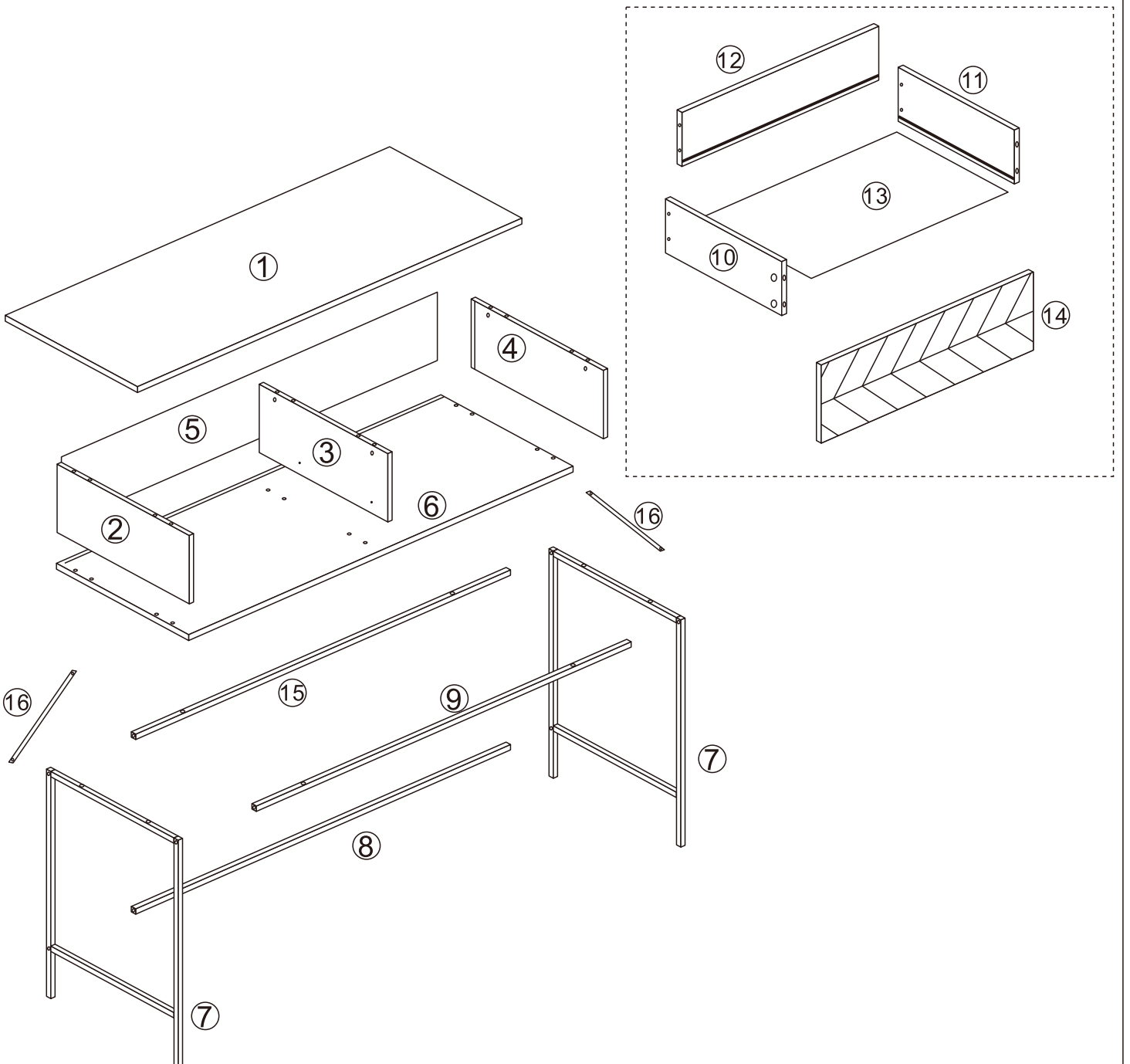


## ASSEMBLY INSTRUCTION

# HARDWARE LITS

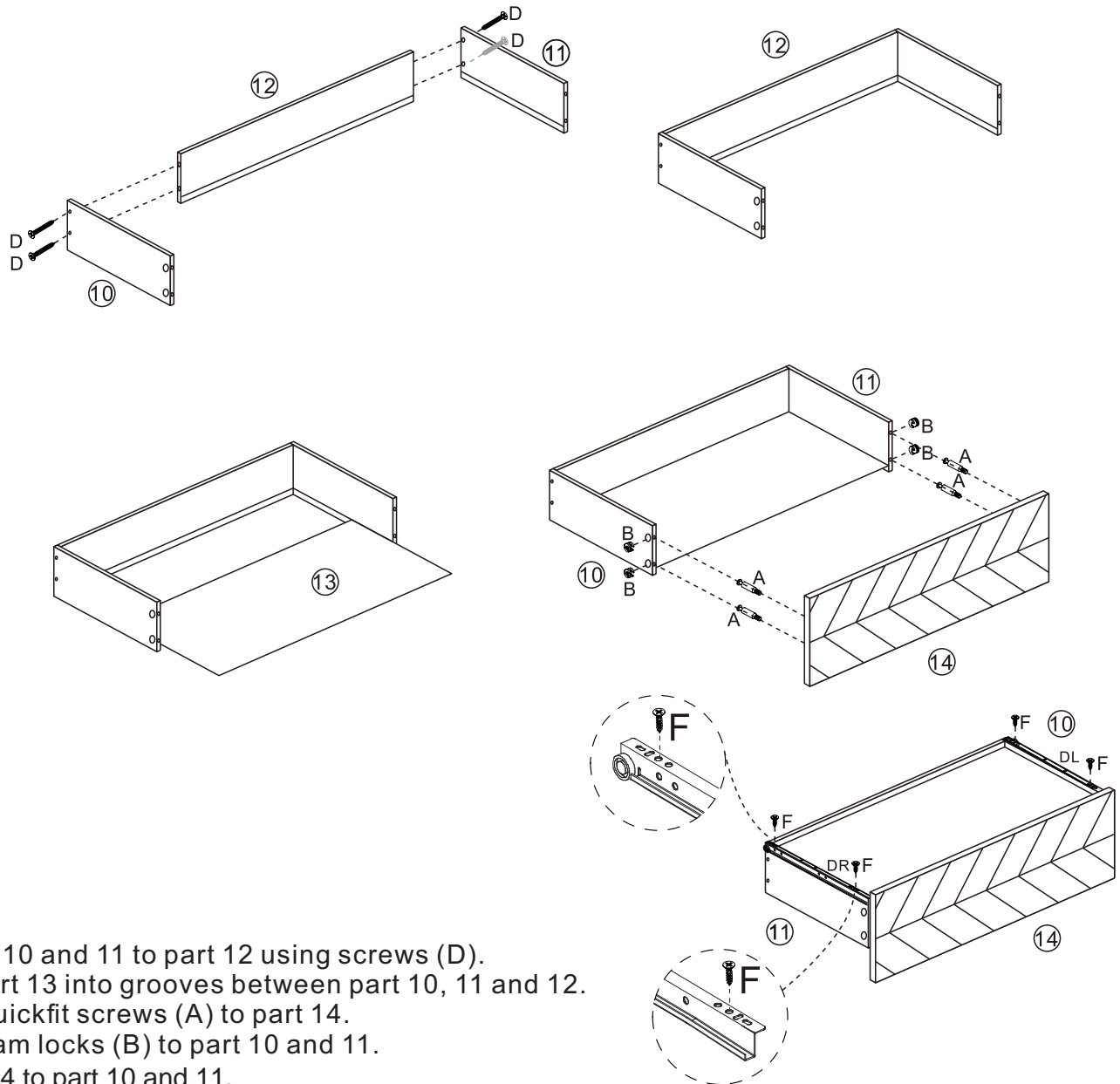
 Ax10	 Bx10	 Cx12	 Dx4	 Ex8	 Fx10
 Gx6	 Hx1	 Ix8	 Jx1	 Kx4	 Lx2
 Mx4	 Nx2	 Ox2	 DLx1	 DRx1	 CLx1
 CRx1					

# PARTS LITS



# ASSEMBLY STEPS

1

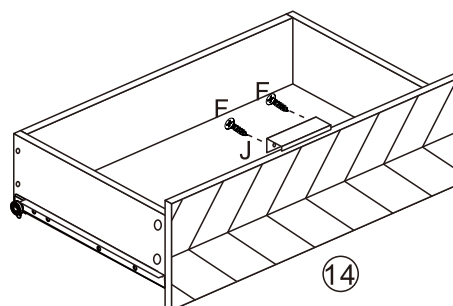


Fix Part 10 and 11 to part 12 using screws (D).  
 Slide part 13 into grooves between part 10, 11 and 12.  
 Insert quickfit screws (A) to part 14.  
 Insert cam locks (B) to part 10 and 11.  
 Fit part 14 to part 10 and 11.  
 Turn cam locks clockwise to tighten.  
 Fix inner drawer runner (DR) and (DL) to assembled drawer using screw(F), as shown.

 DLx1	 DRx1	 Dx4	 Fx4	 Ax4	 Bx4
---	--	---	---	--	---

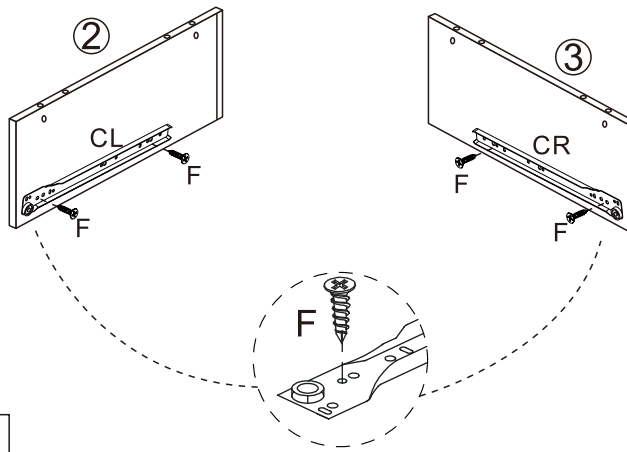
2

Fix handle J to part 14 using screws (F), as shown.



 Fx2	 Jx1
--	---

- 3** Fix outer drawer runner (CL) to part 2 using screws (F), as shown.  
 Fix outer drawer runner (CR) to part 3 using screws (F), as shown.



CLx1

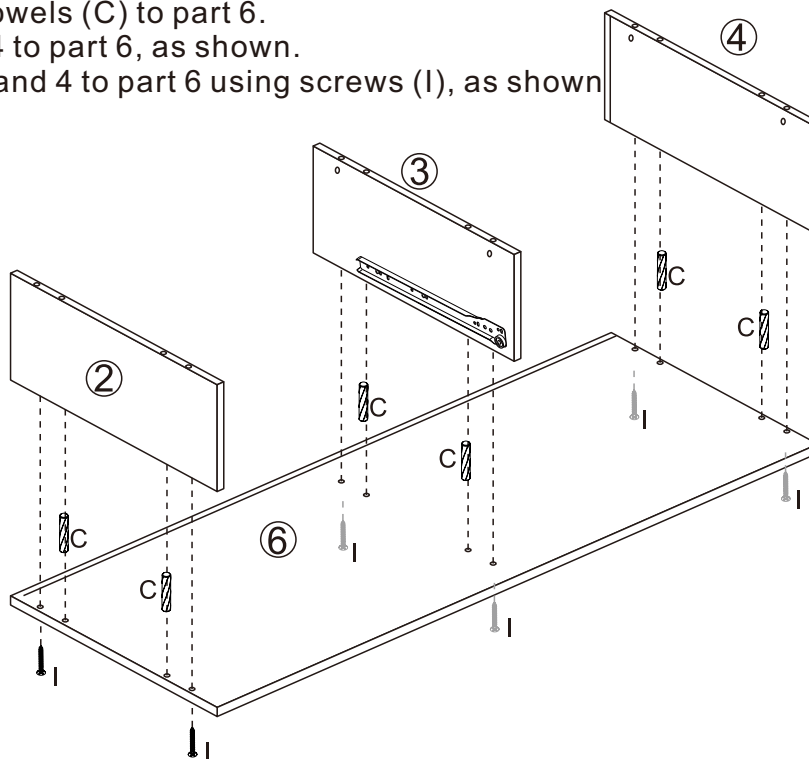


CRx1



Fx4

- 4** Insert wooden dowels (C) to part 6.  
 Fit part 2, 3 and 4 to part 6, as shown.  
 Secure part 2, 3 and 4 to part 6 using screws (I), as shown

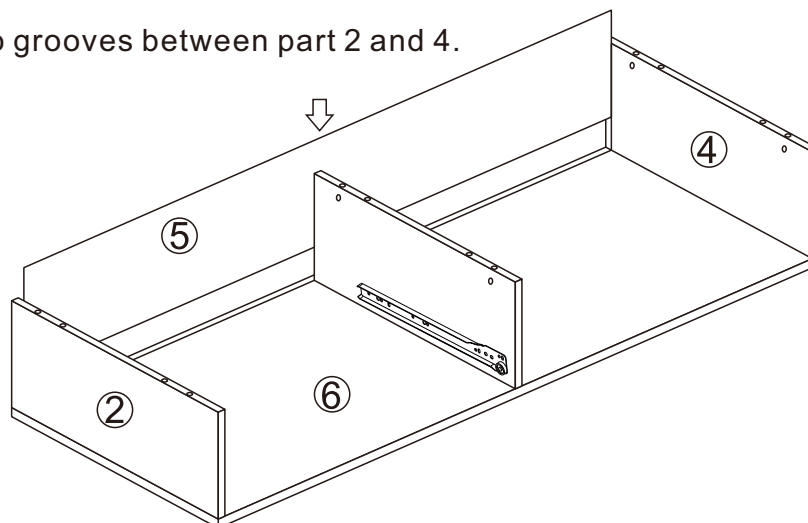


Cx6



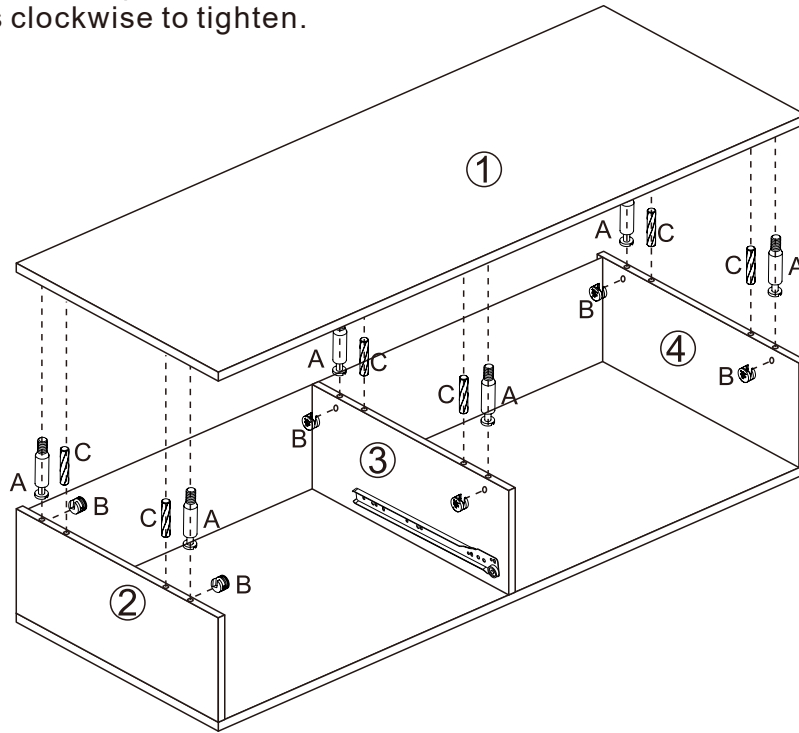
Ix6

- 5** Slide part 5 into grooves between part 2 and 4.





- 6** Insert quickfit screws (A) and wooden dowels (C) to part 1.  
 Insert cam locks (B) to part 2, 3 and 4.  
 Fit part 1 to assembled parts.  
 Turn cam locks clockwise to tighten.



Ax 6

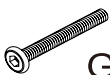
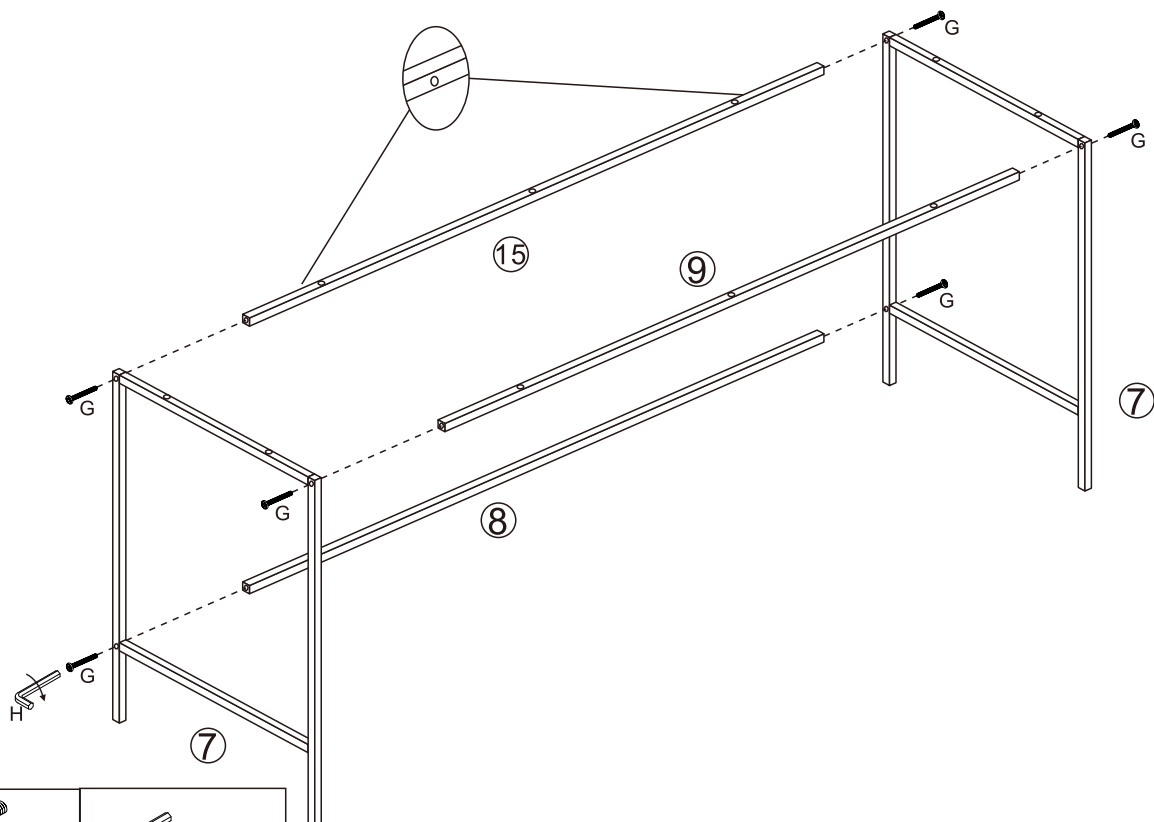


Bx 6



Cx 6

- 7** Fix part 8, 9 and 15 to parts 7 using screws (G), as shown.

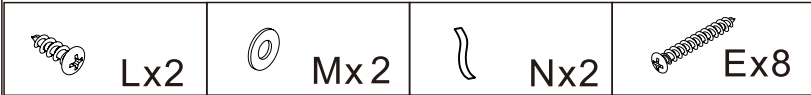
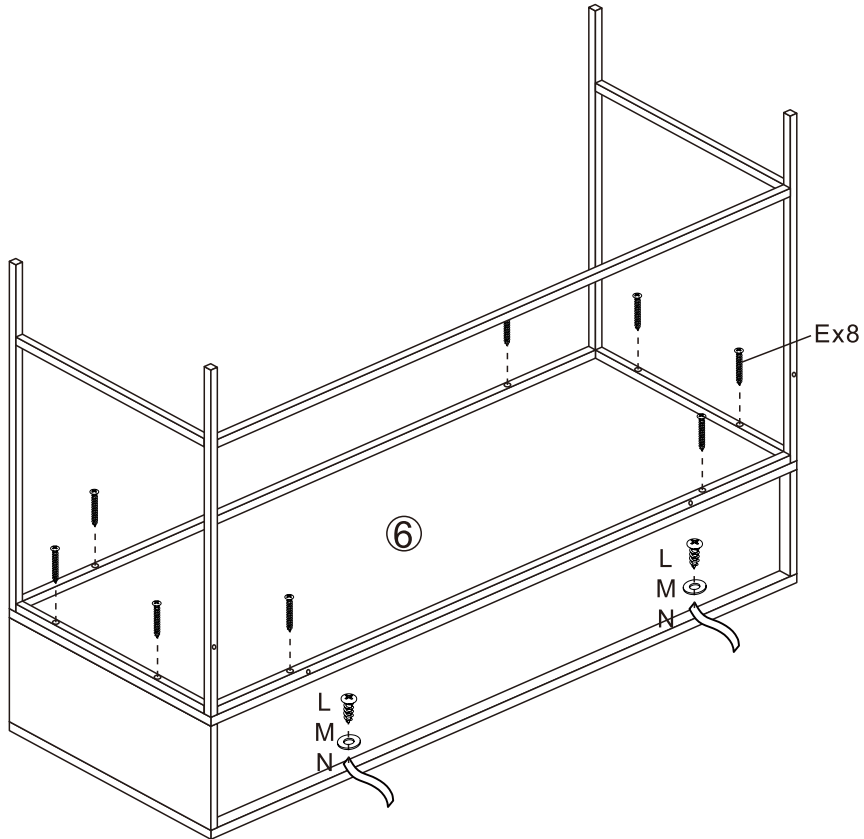


Gx6

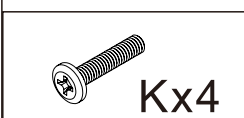
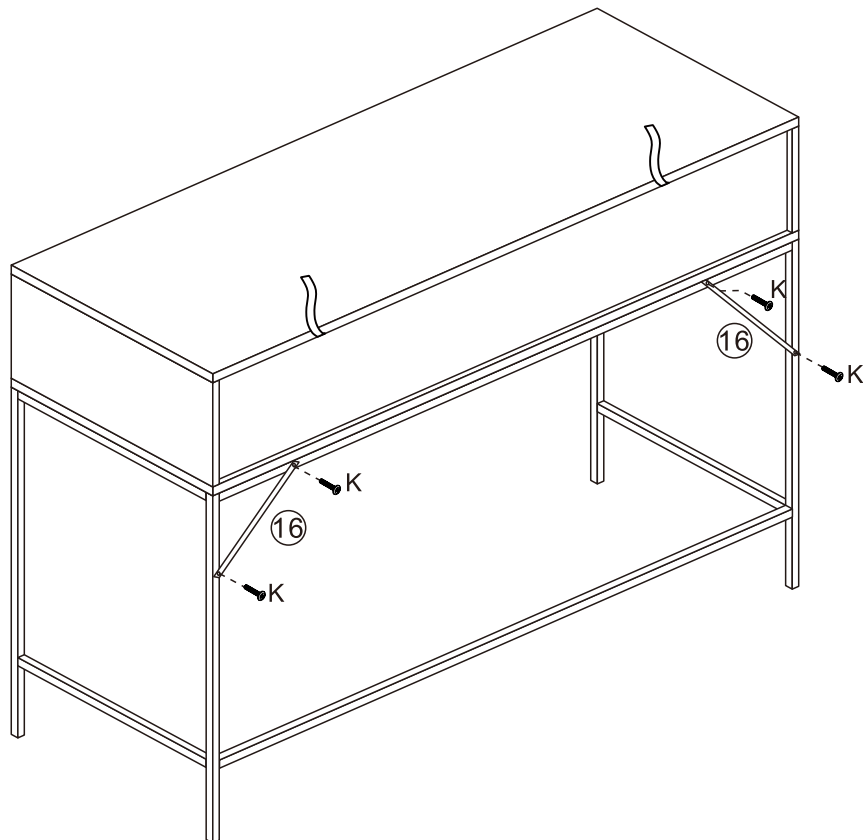


HX1

- 8** Fix assembled feet parts to part 6 using screws (E), as shown.  
 Fix wall straps (N) to assembled unit using washers (M) and screws (L), as shown.

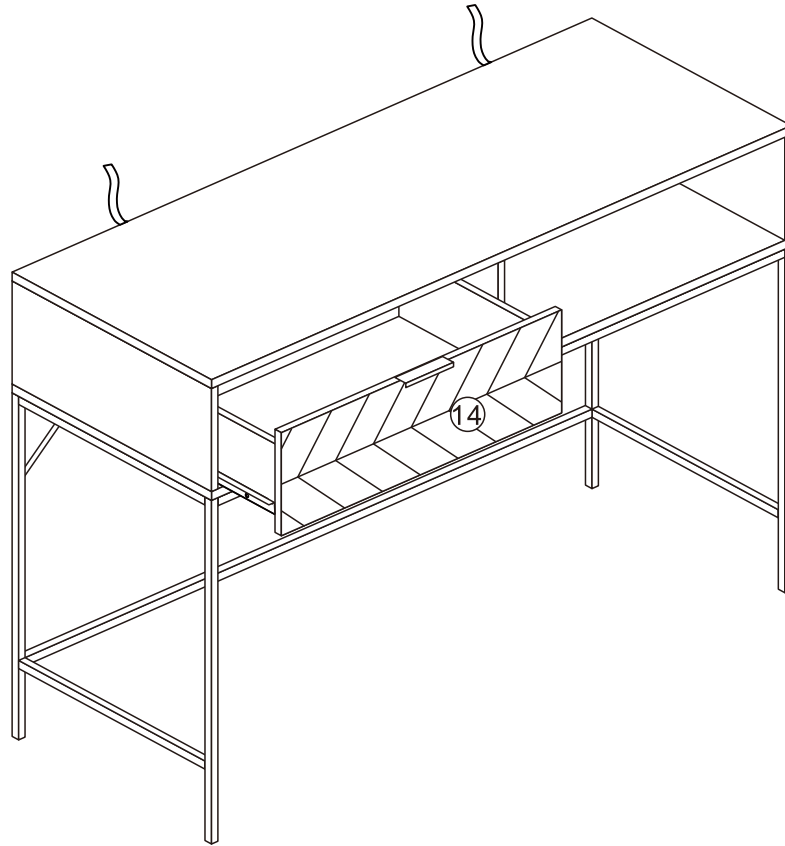


- 9** Fix parts 16 on to back of assembled unit using screws (K), as shown.



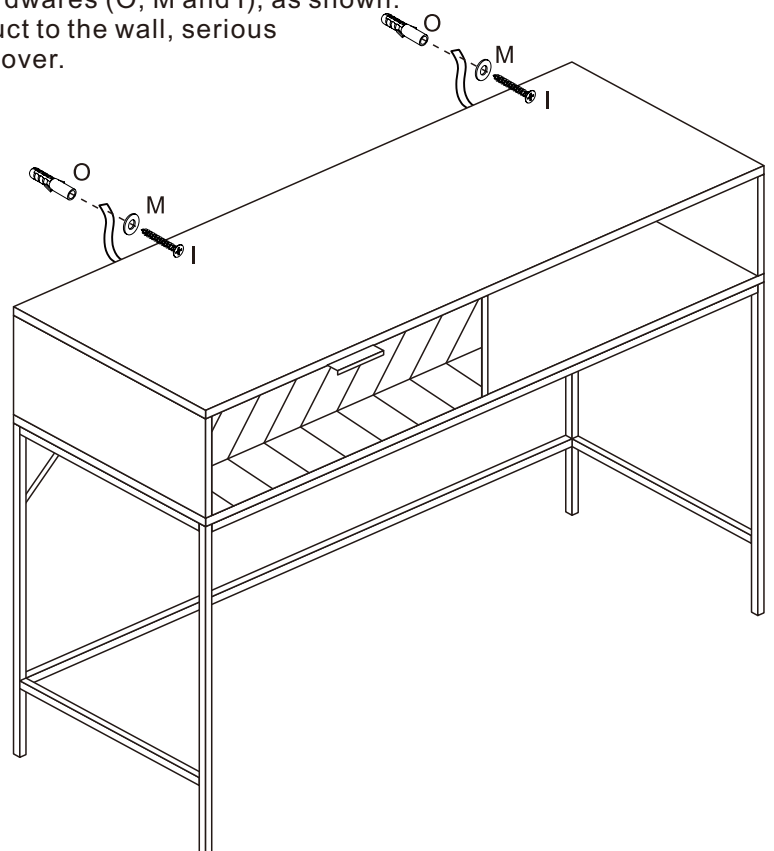
10

Fit Drawer into the assembled unit.



11

For extra stability, it is recommended that you fix your console table to the wall using the additional hardware (O, M and I), as shown. Should you choose not to affix the product to the wall, serious injury may be caused if the product tips over.



Mx2



Ox2



Ix2